

## Description

Arduino® Nano Every is a miniature sized module containing an ATmega4809 AVR processor and an ATSAM11D14A Arm® Cortex®-M0+ processor to act as a bridge between USB and the main AVR processor. The module can either be mounted as a DIP component (when mounting pin headers), or as a SMT component, directly soldering it via the castellated pads.

## Target Areas:

Maker, robotics

## Features

- **ATMega4809**
  - **Processor**
    - AVR CPU at up to 20 MHz
    - 48 kB Flash
    - 6 kB SRAM
    - 256B EEPROM
    - Power On Reset (POR) and Brown Out Detection (BOD)
  - **Peripherals**
    - 1x 16-bit Timer/Counter with a dedicated period register and 3x compare channels
    - 4x 16-bit Timer/Counter with input capture
    - 1x 16-bit Real-Time Counter (RTC) running from an external crystal or an internal RC oscillator
    - 4x USART with fractional baud rate generator, auto-baud, and start-of-frame detection
    - 1x Master/slave Serial Peripheral Interface (SPI)
    - 1x Dual mode Master/Slave TWI with dual address match 6x 16 bit Timers (1 dedicated to RTC)
    - Event System for CPU independent and predictable inter-peripheral signaling
    - Configurable Custom Logic (CCL) with up to four programmable Look-up Tables (LUT)
    - 1x Analog Comparator (AC) with a scalable reference input
    - Watchdog Timer with Window mode, with separate on-chip oscillator
    - External interrupt on all general purpose pins
- **ATSAMD11D14A**
  - **Processor**
    - Arm® Cortex®-M0+ at up to 48 MHz
    - 16KB Flash
    - 4KB SRAM
    - Power On Reset (POR) and Brown Out Detection (BOD)
    - One full-speed (12Mbps) Universal Serial Bus (USB) 2.0 interface
    - Embedded device function
    - Eight endpoints
    - Standard firmware for USB-UART bridge
    - Can be reprogrammed for other USB classes
    - UART connection to ATMega4809
    - Field upgradeable through USB Bootloader
- **MPM3610 (DC-DC)**
  - Regulates input voltage from up to 21V with a minimum of 65% efficiency @minimum load
  - More than 85% efficiency @12V
- **AP2112K-3,3 (LDO)**
  - Regulates input voltage from 5V to 3.3V
  - Up to 550mA output current for user application (recommended max 200mA)



## CONTENTS

<b>1 The Board</b>	<b>4</b>
<b>2 Ratings</b>	<b>4</b>
2.1 Recommended Operating Conditions	4
2.2 Power Consumption	4
<b>3 Functional Overview</b>	<b>4</b>
3.1 Board Topology	4
3.2 Processor	5
3.3 USB Bridge	5
3.4 Power Tree	6
<b>4 Board Operation</b>	<b>6</b>
4.1 Getting Started - IDE	6
4.2 Getting Started - Arduino Cloud Editor	6
4.3 Getting Started - Arduino Cloud	7
<b>5 Sample Sketches</b>	<b>7</b>
5.1 Online Resources	7
<b>6 Connector Pinouts</b>	<b>7</b>
6.1 USB	8
6.2 Headers	8
6.3 Debug	9
<b>7 Mechanical Information</b>	<b>9</b>
7.1 Board Outline and Mounting Holes	9
<b>8 Certifications</b>	<b>10</b>
8.1 Declaration of Conformity CE DoC (EU)	10
8.2 Declaration of Conformity to EU RoHS & REACH 211 01/19/2021	10
8.3 Conflict Minerals Declaration	10
<b>9 FCC Caution</b>	<b>11</b>
<b>10 Company Information</b>	<b>12</b>
<b>11 Reference Documentation</b>	<b>12</b>
<b>12 Revision History</b>	<b>13</b>

## 1 The Board

As all Nano form factor boards, Nano Every does not have a battery charger but can be powered through USB or headers.

**NOTE:** Arduino Nano Every is 5V compatible so it is a drop in replacement for the standard Nano board

## 2 Ratings

### 2.1 Recommended Operating Conditions

Symbol	Description	Min	Max
	Conservative thermal limits for the whole board:	-40 °C ( 40 °F)	85 °C ( 185 °F)

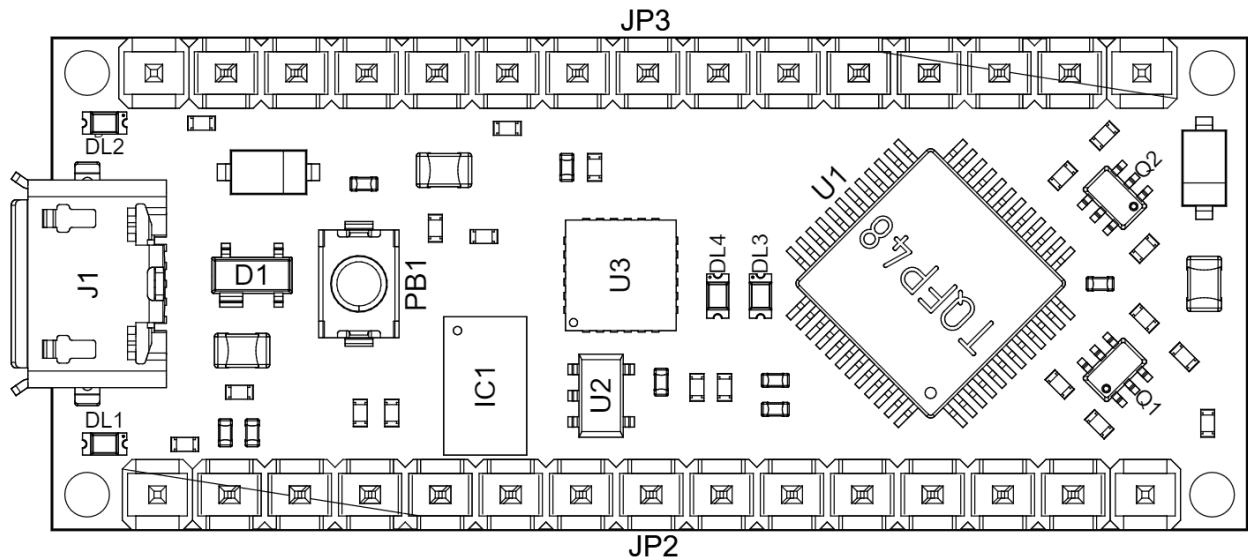
### 2.2 Power Consumption

Symbol	Description	Min	Typ	Max	Unit
PBL	Power consumption with busy loop		TBC		mW
PLP	Power consumption in low power mode		TBC		mW
PMAX	Maximum Power Consumption		TBC		mW

## 3 Functional Overview

### 3.1 Board Topology

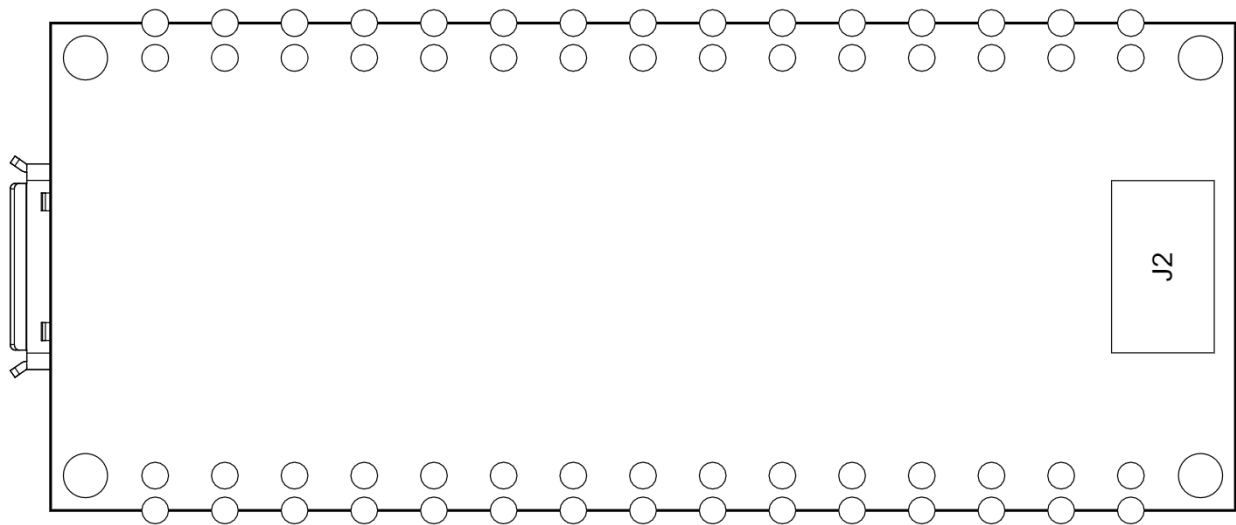
Top:



Board topology top

Ref.	Description	Ref.	Description
U1	ATMEGA4809-A.6 IC Module	D1	PRTR5V0U2X Diodes
U2	AP2112k-3.3TRG1 Diodes	PB1	T-1185AP1C-160G-GTR Push button
U3	ATSAM-D11 Chip	IC1	MPM3610AGQV-P Module
J1	Micro USB Connector		

Bottom:



Board topology bot

Ref.	Description	Ref.	Description
J2	Bridge?		

### 3.2 Processor

The Main Processor is an AVR running at up to 20MHz. Most of its pins are connected to the external headers, however some are reserved for internal communication with the USB Bridge coprocessor.

Communication with SAMD11D14A happens through a serial port and a single wire programming through the following pins:

ATMega4809 Pin	ATMega4809 Acronym	SAMD11 Pin	SAMD11 Acronym	Description
9	PB05	15	PA22	SAMD11 TX □ ATMega4809 RX
8	PB04	16	PA23	ATMega4809 TX □ SAMD11 RX
41	UPDI	12	PA15	UPDI RX
11	PA14	UPDI TX		

### 3.3 USB Bridge

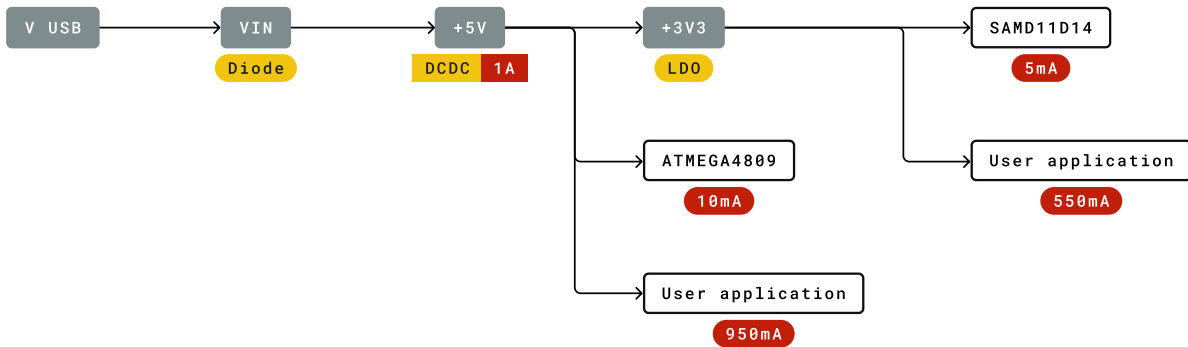
The SAMD11D14A processor is shipped with a firmware that implements USB to serial bridge and handles ATMega4809 firmware upgrade through the UPDI interface.

Firmware also has a bootloader that allows reprogramming to implement other USB classes, expanding the possibilities of classic Nano boards that are limited to serial bridge.

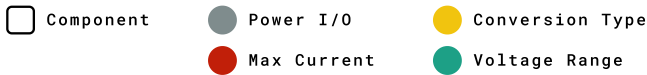
**NOTE:** SAMD11D14A pins are 3.3V only and are connected to ATMega4809 through level shifters. Although it is possible to wire its pins to the external world care must be taken as they are NOT 5V tolerant

### 3.4 Power Tree

The board can be powered via USB connector,  $V_{IN}$  or  $V_{USB}$  pins on headers.



Legend:



Power tree

**NOTE:** Since  $V_{USB}$  feeds  $V_{IN}$  via a Schottky diode and a DC-DC regulator specified minimum input voltage is 4.5V the minimum supply voltage from USB has to be increased to a voltage in the range between 4.8V to 4.96V depending on the current being drawn.

## 4 Board Operation

### 4.1 Getting Started - IDE

If you want to program your Nano Every while offline you need to install the Arduino Desktop IDE [1] To connect the Nano Every to your computer, you'll need a Micro-B USB cable. This also provides power to the board, as indicated by the LED.

### 4.2 Getting Started - Arduino Cloud Editor

All Arduino boards, including this one, work out-of-the-box on the Arduino Cloud Editor [2], by just installing a simple plugin.

The Arduino Cloud Editor is hosted online, therefore it will always be up-to-date with the latest features and support for all boards. Follow [3] to start coding on the browser and upload your sketches onto your board.

### 4.3 Getting Started - Arduino Cloud

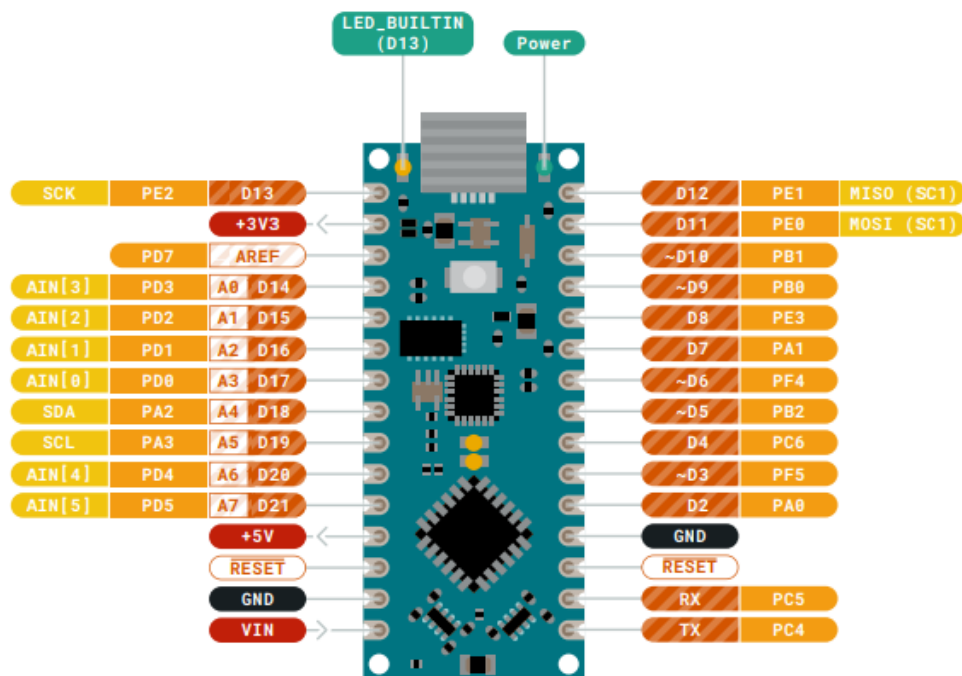
All Arduino IoT enabled products are supported on Arduino Cloud which allows you to Log, graph and analyze sensor data, trigger events, and automate your home or business.

## 5 Sample Sketches

### 5.1 Online Resources

Now that you have gone through the basics of what you can do with the board you can explore the endless possibilities it provides by checking exciting projects on Arduino Project Hub [4], the Arduino Library Reference [5] and the on line store [6] where you will be able to complement your board with sensors, actuators and more.

## 6 Connector Pinouts



Pinout

## 6.1 USB

Pin	Function	Type	Description
1	VUSB	Power	Power Supply Input.
2	D-	Differential	USB differential data -
3	D+	Differential	USB differential data +
4	NC		
5	GND	Power	Power Ground

## 6.2 Headers

The board exposes two 15 pin connectors which can either be assembled with pin headers or soldered through castellated vias.

Pin	Function	Type	Description
1	D13	Digital	SPI SCK, GPIO
2	+3V3	Power Out	Internally generated power output to external devices
3	AREF	Analog	Analog Reference; can be used as GPIO
4	A0/DAC0	Analog	ADC in/DAC out; can be used as GPIO
5	A1	Analog	ADC in; can be used as GPIO
6	A2	Analog	ADC in; can be used as GPIO
7	A3	Analog	ADC in; can be used as GPIO
8	A4/SDA	Analog	ADC in; I2C SDA; Can be used as GPIO
9	A5/SCL	Analog	ADC in; I2C SCL; Can be used as GPIO
10	A6	Analog	ADC in; can be used as GPIO
11	A7	Analog	ADC in; can be used as GPIO
12	+5V	Power Out	Internally generated power output to external devices
13	RST	Digital In	Active low reset input (duplicate of pin 18)
14	GND	Power	Power Ground
15	VIN	Power In	Vin Power input
16	TX	Digital	USART TX; can be used as GPIO
17	RX	Digital	USART RX; can be used as GPIO
18	RST	Digital	Active low reset input (duplicate of pin 13)
19	GND	Power	Power Ground
20	D2	Digital	GPIO
21	D3/PWM	Digital	GPIO; can be used as PWM
22	D4	Digital	GPIO
23	D5/PWM	Digital	GPIO; can be used as PWM
24	D6/PWM	Digital	GPIO, can be used as PWM
25	D7	Digital	GPIO
26	D8	Digital	GPIO
27	D9/PWM	Digital	GPIO; can be used as PWM
28	D10/PWM	Digital	GPIO; can be used as PWM
29	D11/MOSI	Digital	SPI MOSI; can be used as GPIO
30	D12/MISO	Digital	SPI MISO; can be used as GPIO



### 6.3 Debug

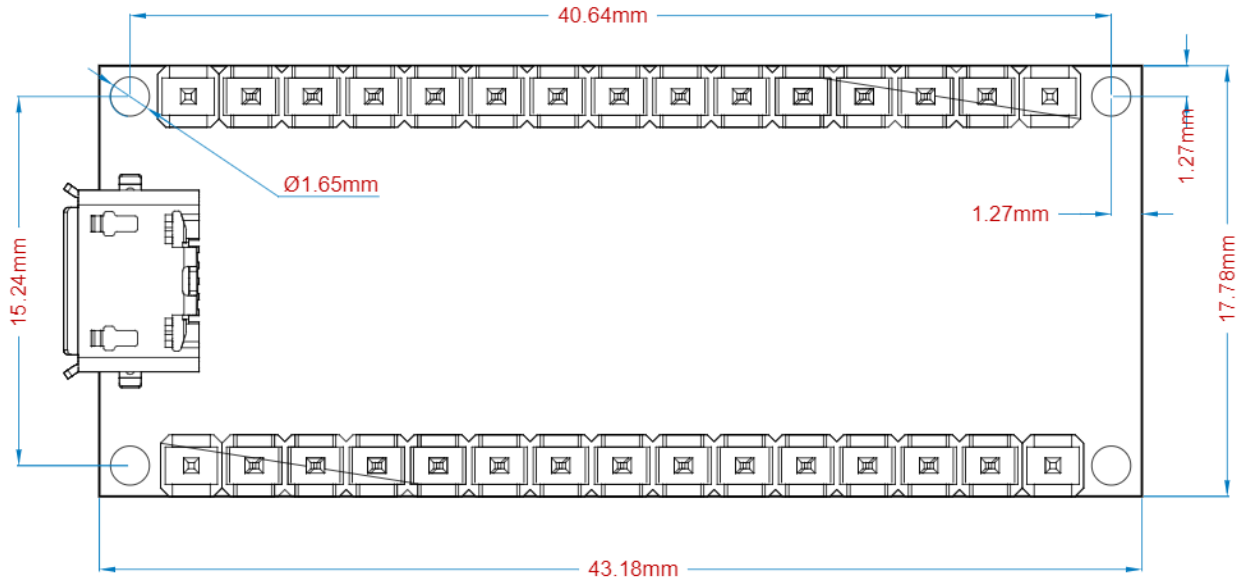
On the bottom side of the board, under the communication module, debug signals are arranged as 3x2 test pads with 100 mil pitch with pin 4 removed. Pin 1 is depicted in Figure 3 – Connector Positions

Pin	Function	Type	Description
1	+3V3	Power Out	Internally generated power output to be used as voltage reference
2	SWD	Digital	Single Wire Debug Data
3	SWCLK	Digital In	Single Wire Debug Clock
5	GND	Power	Power Ground
6	RST	Digital In	Active low reset input

## 7 Mechanical Information

### 7.1 Board Outline and Mounting Holes

The board measures are imperial. Imperial measures are used to maintain 100 mil pitch grid between pin rows to allow them to fit a breadboard.



Board layout

## 8 Certifications

### 8.1 Declaration of Conformity CE DoC (EU)

We declare under our sole responsibility that the products above are in conformity with the essential requirements of the following EU Directives and therefore qualify for free movement within markets comprising the European Union (EU) and European Economic Area (EEA).

### 8.2 Declaration of Conformity to EU RoHS & REACH 211 01/19/2021

Arduino boards are in compliance with RoHS 2 Directive 2011/65/EU of the European Parliament and RoHS 3 Directive 2015/863/EU of the Council of 4 June 2015 on the restriction of the use of certain hazardous substances in electrical and electronic equipment.

Substance	Maximum limit (ppm)
Lead (Pb)	1000
Cadmium (Cd)	100
Mercury (Hg)	1000
Hexavalent Chromium (Cr6+)	1000
Poly Brominated Biphenyls (PBB)	1000
Poly Brominated Diphenyl ethers (PBDE)	1000
Bis(2-Ethylhexyl) phthalate (DEHP)	1000
Benzyl butyl phthalate (BBP)	1000
Dibutyl phthalate (DBP)	1000
Diisobutyl phthalate (DIBP)	1000

Exemptions : No exemptions are claimed.

Arduino Boards are fully compliant with the related requirements of European Union Regulation (EC) 1907 /2006 concerning the Registration, Evaluation, Authorization and Restriction of Chemicals (REACH). We declare none of the SVHCs (<https://echa.europa.eu/web/guest/candidate-list-table>), the Candidate List of Substances of Very High Concern for authorization currently released by ECHA, is present in all products (and also package) in quantities totaling in a concentration equal or above 0.1%. To the best of our knowledge, we also declare that our products do not contain any of the substances listed on the "Authorization List" (Annex XIV of the REACH regulations) and Substances of Very High Concern (SVHC) in any significant amounts as specified by the Annex XVII of Candidate list published by ECHA (European Chemical Agency) 1907 /2006/EC.

### 8.3 Conflict Minerals Declaration

As a global supplier of electronic and electrical components, Arduino is aware of our obligations with regards to laws and regulations regarding Conflict Minerals, specifically the Dodd-Frank Wall Street Reform and Consumer Protection Act, Section 1502. Arduino does not directly source or process conflict minerals such as Tin, Tantalum, Tungsten, or Gold. Conflict minerals are contained in our products in the form of solder, or as a component in metal alloys. As part of our reasonable due diligence Arduino has contacted component suppliers within our supply chain to verify their continued compliance with the regulations. Based on the information received thus far we declare that our products contain Conflict Minerals sourced from conflict-free areas.



## 9 FCC Caution

Any Changes or modifications not expressly approved by the party responsible for compliance could void the user's authority to operate the equipment.

This device complies with part 15 of the FCC Rules. Operation is subject to the following two conditions:

- (1) This device may not cause harmful interference
- (2) this device must accept any interference received, including interference that may cause undesired operation.

### FCC RF Radiation Exposure Statement:

- 1. This Transmitter must not be co-located or operating in conjunction with any other antenna or transmitter.
- 2. This equipment complies with RF radiation exposure limits set forth for an uncontrolled environment.
- 3. This equipment should be installed and operated with minimum distance 20cm between the radiator & your body.

English: User manuals for license-exempt radio apparatus shall contain the following or equivalent notice in a conspicuous location in the user manual or alternatively on the device or both. This device complies with Industry Canada license-exempt RSS standard(s). Operation is subject to the following two conditions:

- (1) this device may not cause interference
- (2) this device must accept any interference, including interference that may cause undesired operation of the device.

French: Le présent appareil est conforme aux CNR d'Industrie Canada applicables aux appareils radio exempts de licence. L'exploitation est autorisée aux deux conditions suivantes :

- (1) l' appareil n' doit pas produire de brouillage
- (2) l'utilisateur de l'appareil doit accepter tout brouillage radioélectrique subi, même si le brouillage est susceptible d'en compromettre le fonctionnement.

### IC SAR Warning:

English This equipment should be installed and operated with minimum distance 20 cm between the radiator and your body.

French: Lors de l' installation et de l' exploitation de ce dispositif, la distance entre le radiateur et le corps est d' au moins 20 cm.

**Important:** The operating temperature of the EUT can't exceed 85°C and shouldn't be lower than -40°C.

Hereby, Arduino S.r.l. declares that this product is in compliance with essential requirements and other relevant provisions of Directive 2014/53/EU. This product is allowed to be used in all EU member states.

Frequency bands	Maximum output power (ERP)
863-870Mhz	-3.22dBm



## 10 Company Information

<b>Company name</b>	<b>Arduino SA.</b>
Company Address	Via Ferruccio Pelli 14 6900 Lugano Switzerland

## 11 Reference Documentation

Reference	Link
Arduino IDE (Desktop)	<a href="https://www.arduino.cc/en/software">https://www.arduino.cc/en/software</a>
Arduino Cloud Editor	<a href="https://create.arduino.cc/editor">https://create.arduino.cc/editor</a>
Arduino Cloud Editor - Getting Started	<a href="https://docs.arduino.cc/arduino-cloud/guides/editor/">https://docs.arduino.cc/arduino-cloud/guides/editor/</a>
Arduino Project Hub	<a href="https://create.arduino.cc/projecthub?by=part&amp;part_id=11332&amp;sort=trending">https://create.arduino.cc/projecthub?by=part&amp;part_id=11332&amp;sort=trending</a>
Library Reference	<a href="https://www.arduino.cc/reference/en/">https://www.arduino.cc/reference/en/</a>
Arduino Store	<a href="https://store.arduino.cc/">https://store.arduino.cc/</a>
Forum	<a href="http://forum.arduino.cc/">http://forum.arduino.cc/</a>
SAMD21G18	<a href="https://ww1.microchip.com/downloads/aemDocuments/documents/MCU32/ProductDocuments/DataSheets/SAM-D21DA1-Family-Data-Sheet-DS40001882G.pdf">https://ww1.microchip.com/downloads/aemDocuments/documents/MCU32/ProductDocuments/DataSheets/SAM-D21DA1-Family-Data-Sheet-DS40001882G.pdf</a>
NINA W102	<a href="https://content.u-blox.com/sites/default/files/NINA-W10_DataSheet_UBX-17065507.pdf">https://content.u-blox.com/sites/default/files/NINA-W10_DataSheet_UBX-17065507.pdf</a>
ECC608	<a href="https://ww1.microchip.com/downloads/aemDocuments/documents/SCBU/ProductDocuments/DataSheets/ATECC608A-CryptoAuthentication-Device-Summary-Data-Sheet-DS40001977B.pdf">https://ww1.microchip.com/downloads/aemDocuments/documents/SCBU/ProductDocuments/DataSheets/ATECC608A-CryptoAuthentication-Device-Summary-Data-Sheet-DS40001977B.pdf</a>
MPM3610	<a href="https://www.monolithicpower.com/pub/media/document/MPM3610_r1.01.pdf">https://www.monolithicpower.com/pub/media/document/MPM3610_r1.01.pdf</a>
NINA Firmware	<a href="https://github.com/arduino/nina-fw">https://github.com/arduino/nina-fw</a>
ECC608 Library	<a href="https://github.com/arduino-libraries/ArduinoECCX08">https://github.com/arduino-libraries/ArduinoECCX08</a>
LSM6DSL Library	<a href="https://github.com/stm32duino/LSM6DSL">https://github.com/stm32duino/LSM6DSL</a>



## 12 Revision History

Date	Revision	Changes
25/04/2024	3	Updated link to new Cloud Editor
03/08/2022	2	Reference documentation links updates
27/04/2021	1	General datasheet updates